



## LED Controller DMX Digital 3x6A - LT-823-6A

### Datasheet

## Technical Specs

### Electronics

LED Output Current (max per o 6A	
Current max.	18A
LED outputs	3
LED Output Voltage	5~24 V
Output power	90W @ 5V, 216W @ 12V, 432W @ 24V

### Control Characteristics

Output	PWM-CV
Dimming Protocol	DMX
Dimming Range	0~100%
Dimming Curve	Linear
Driver Configuration	Buttons Control Panel

### Wiring Specifications

Wire type	2,5mm2
Wire Strip Length	5mm

### Protection

Reverse Polarity	Yes
LED Output Short	Yes
Overload	Yes
Restart after protection	Yes

### Environmental

Ingress protection	IP44
Operating temperature	-30~+55 °C

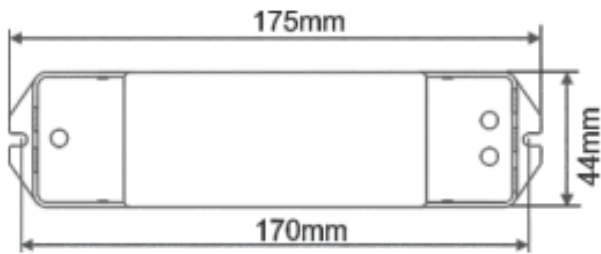
## Regulations

### Approvals

Warranty	3 Year
----------	--------

## Technical Drawings

### 2. Product Size:



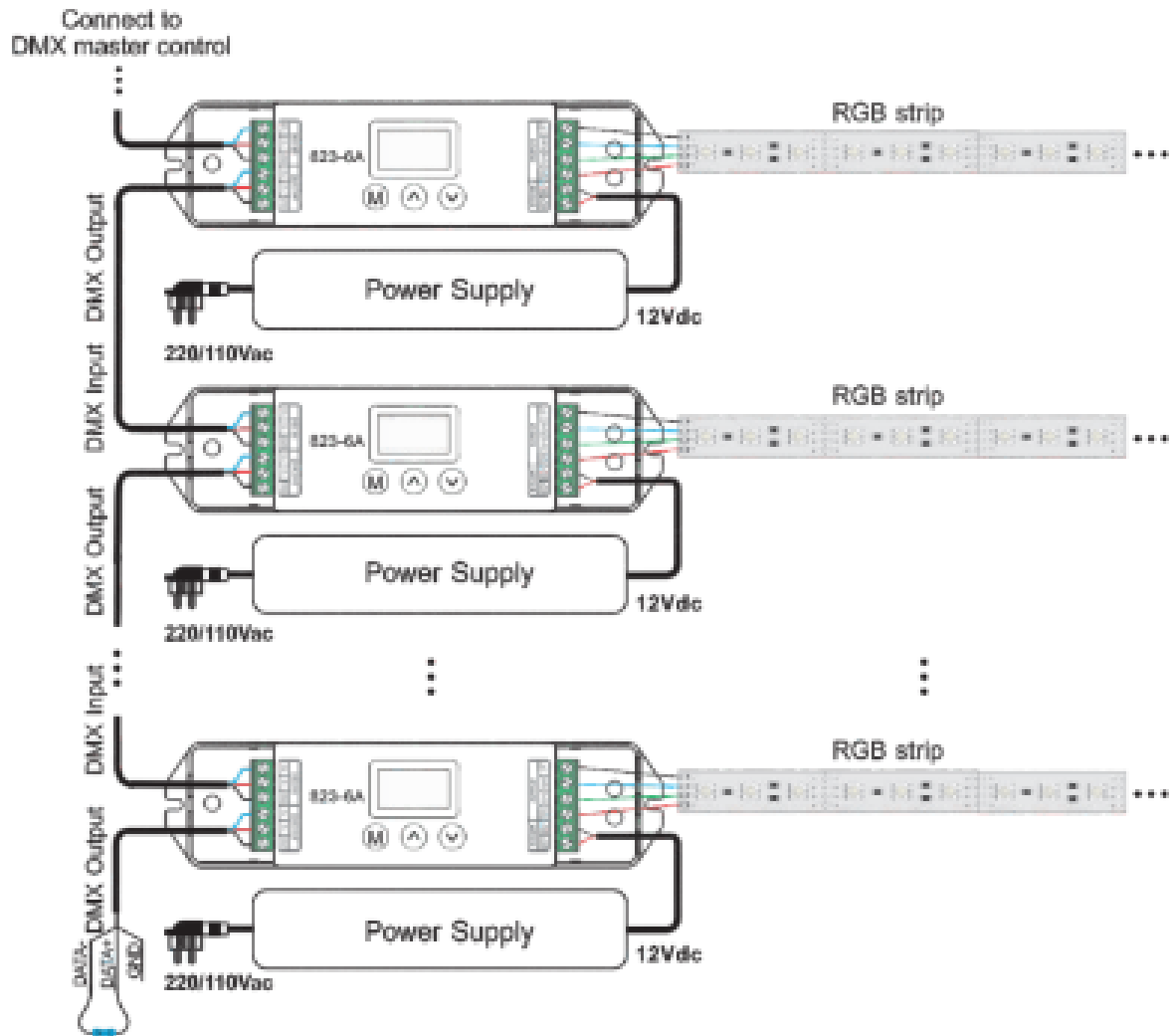
## Wiring Diagrams



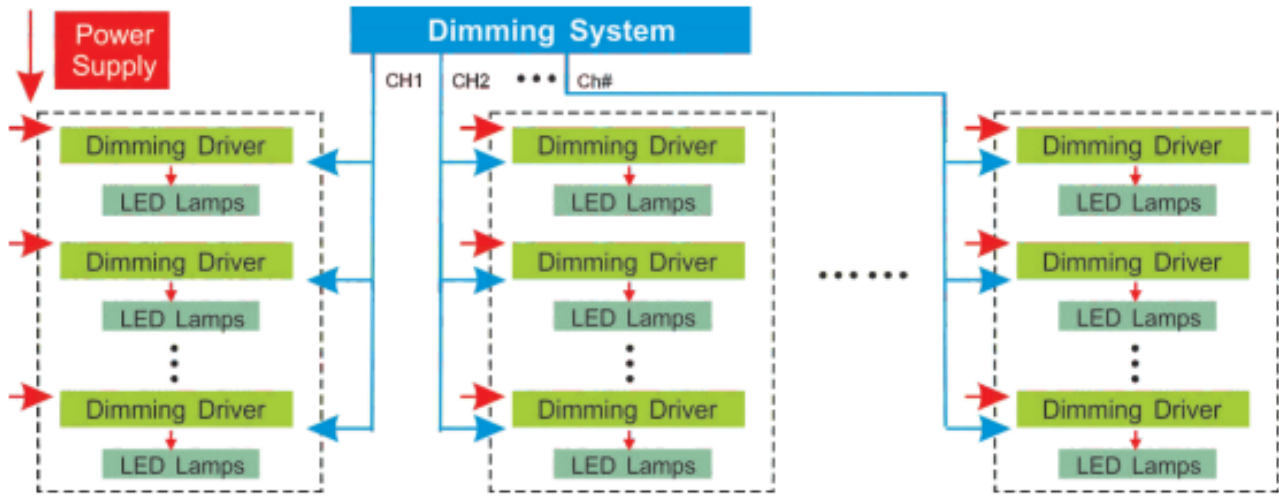
LT-823-6A 16bit DMX CV Decoder

### 5. Wiring Diagram:

5.1 Wiring diagram for multiple unit :



5.2 System connection diagram:



## Order information

Code	Description
22756	LED Controller DMX Digital 3x6A - LT-823-6A