

O R S E N S O



LUKA - As

IP67 free Standing spot

LUKA - As

IP67 free Standing spot

When good is not good enough - Extraordinary light quality, best light output, excellent light distribution; All in a beautifully designed yet simple luminaire.

LUKA-As is small but mighty it is only Ø36mm wide but it holds a LUMILEDS high power 880lm high CRI 92 LED chip. With variation of selected optics NS/SP/WS and a dark light design it is the perfect solution for any outdoor installation, like Small trees, walls, facades. and also any indoor application like museums, visiting centers, hospitality, or every place that needs special attention with fine design and the best quality of light.

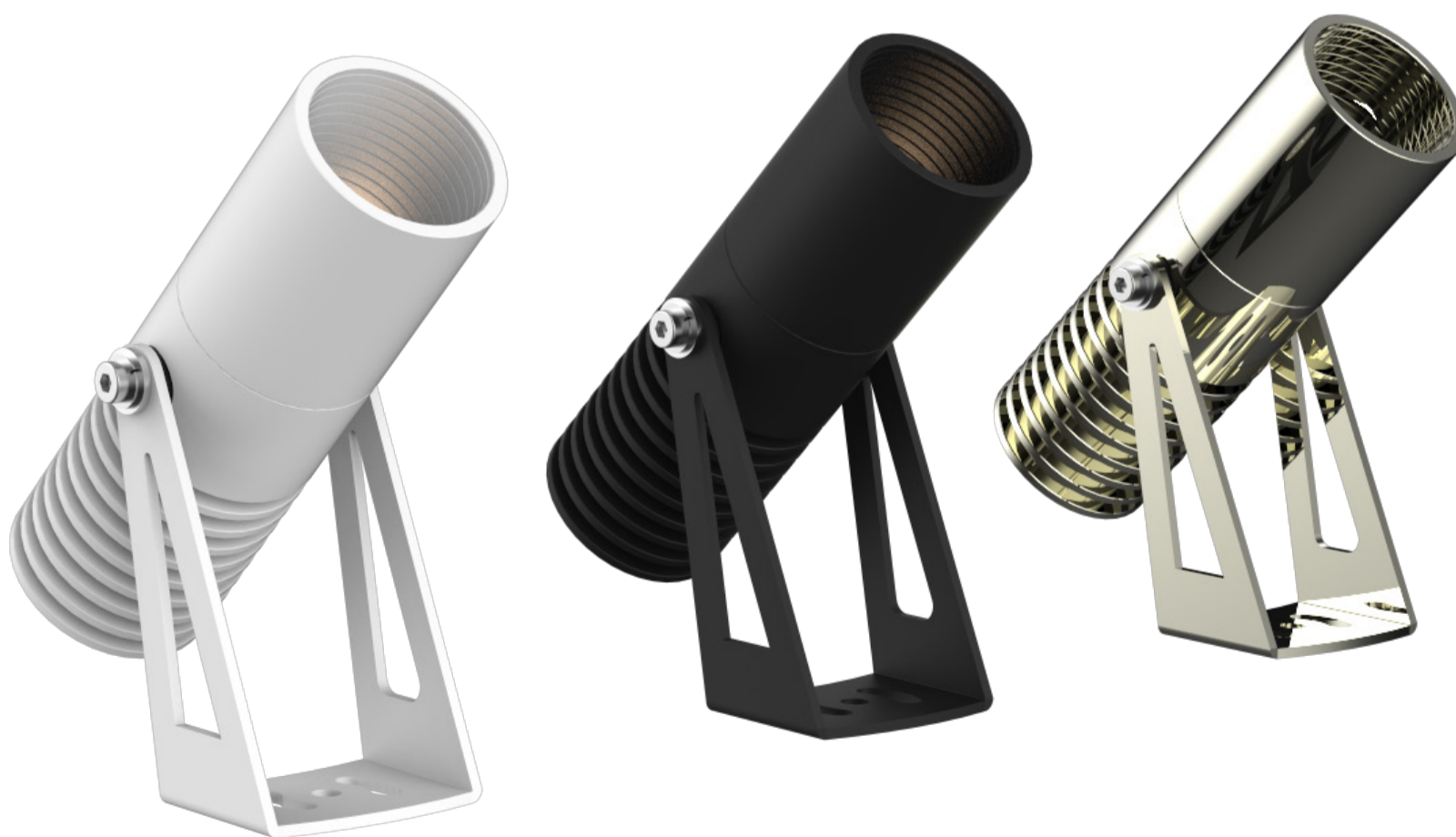
In addition **LUKA-As** offers variety of finishes. Any chosen RAL color can be ordered to complete its beautiful look.

The **LUKA-As** heat sink is designed for high heat dissipation to ensure safe and long operation use.

LUKA-As comes with stainless steel bracket that can be attached to any flat surface or to a small spike for landscape lighting.

Features:

- Up to 880 lumens
- Only 8.4W
- NS/SP/WS beam angles
- High CRI 92
- IP67
- Stainless steel bracket
- Guaranteed long life time and high performance
- Perfect for Indoor & Outdoor installations



* with additional charge

LUKA - As

IP67 free Standing spot



TECHSPEC

Output

Type of LEDs	LUMILEDS High-power
Color Temperature (K)	2700 / 3000 / 5700
Luminous flux (lm)	660 / 736 / 880 lm
CRI	92
Optics	High precision optical grade PC
Beam angle	NS (21°) / SP (29°) / WS (63°)
Efficiency (lm/w)	79 / 88 / 105

Electrical

LED power (W)	8.4W
Current(mA)	700mA Constant Current
Fixture Input Voltage	12 VDC
Driver	External
Input cable	1.0m IP rated cable

Environmental

Operating Temp.	-20°C - 40°C / -4°F - 104°F
Projected lifetime	L70 over 50,000
Environment	Dry, Damp or Wet Locations, 0-99% humidity
Degree of protection (IP)	67
Impact resistance(IK)	09

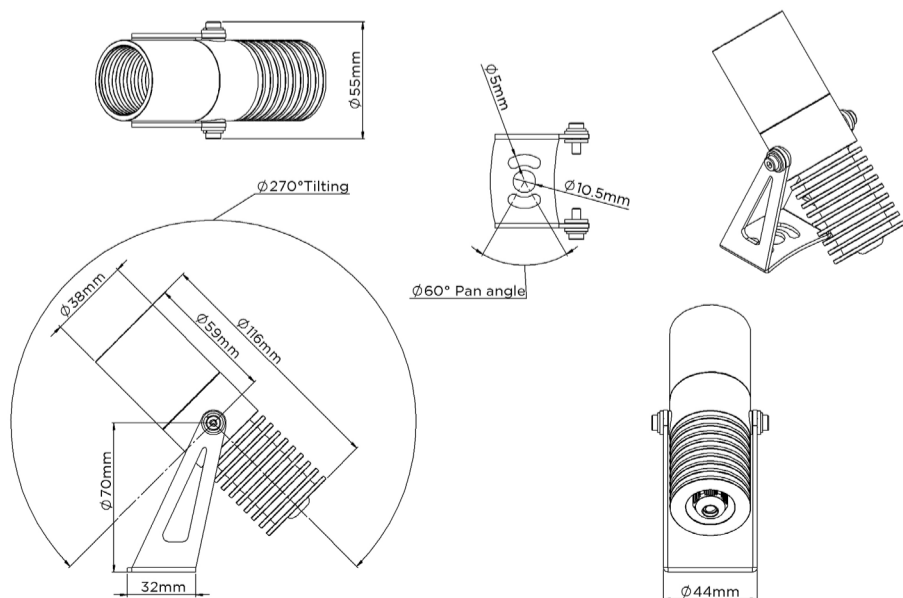
Physical

Fixture housing	Aluminum 6063 / Stainless steel
Bracket	Stainless steel
Front cover	PMMA/Tempered front glass(opt)
Fasteners	Stainless steel
Coating	15μ Black anodize - standard Alodine 15μ + 80μ powder coating(opt)
Height	118 mm (131 mm with bracket)
Width	55 mm
Diameter	Spot 38 mm
Cable gland	Polyamide(std)/Nickel plated brass/Sst
Fixture Weight	216 gr

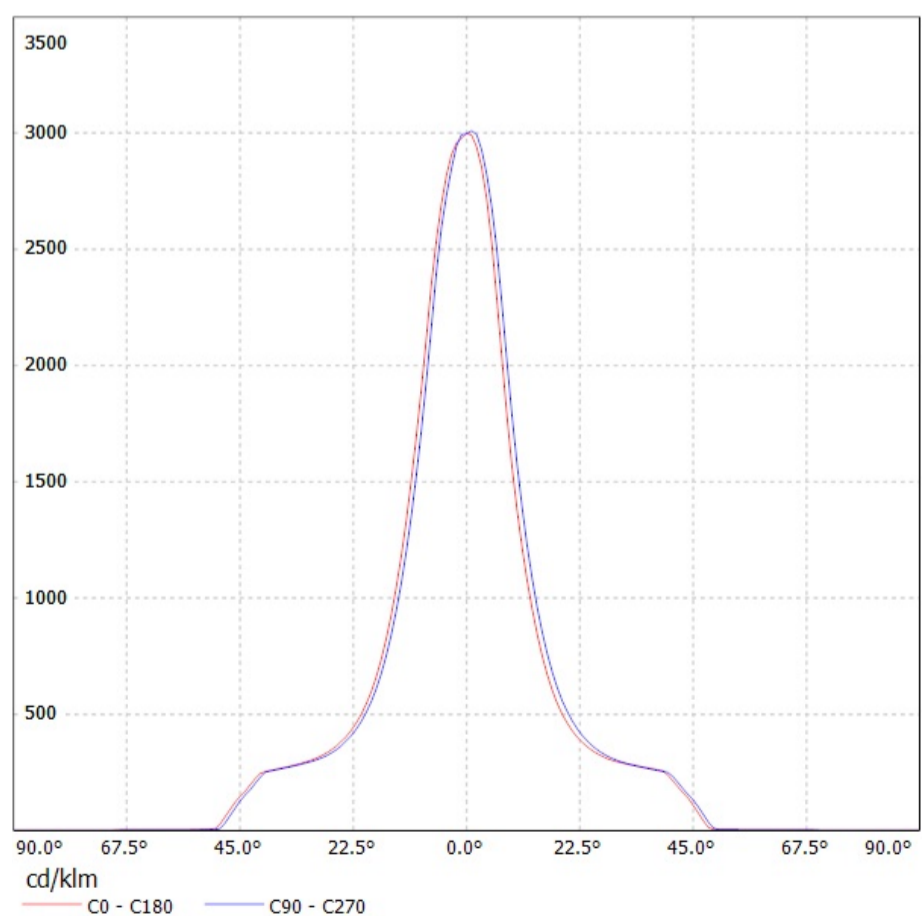


* with additional charge

DIMENSIONS



PHOTOMETRICS



* Tested @ 250mA with 21° optics

* For net lumens subtract 10% from above numbers.

All testings were made at T=85°

